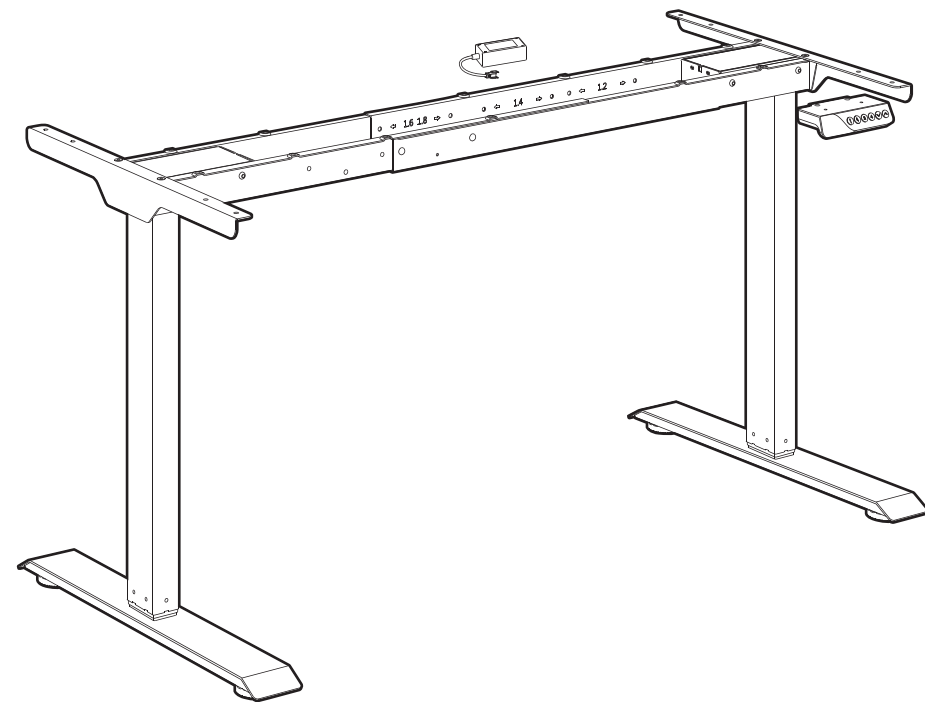




Item No.: TGN-UDE1
Installation guide



< The pictures below are for reference only, please refer to the actual product. >
Please read this product manual carefully before use, and keep it properly.

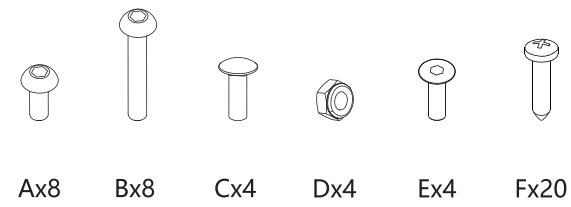
Technical Data

Column Stage	2
Max. Load Capacity	100KG
Table Frame Width	1116mm, 1286mm, 1486mm
Max. Speed	25mm/s
Lowest Height	700mm
Highest Height	1190mm
Applicable Tabletop Size	Length: 1200mm-1800mm Width: 600mm-800mm Thickness: >18mm

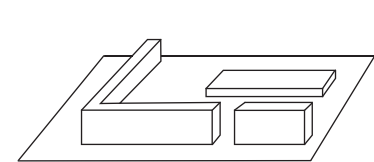
Product List

Accessory List

Note: The line drawings below are for reference only and may differ slightly from the physical product in some cases. Please refer to the actual product for accuracy. If any tools are missing or there are problems with installation, please contact customer service.



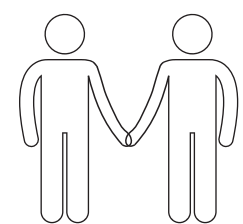
Preparation before installation



Install on carpet to prevent scratches.



Bring your own pistol drill.



Need two or more people to cooperate together.

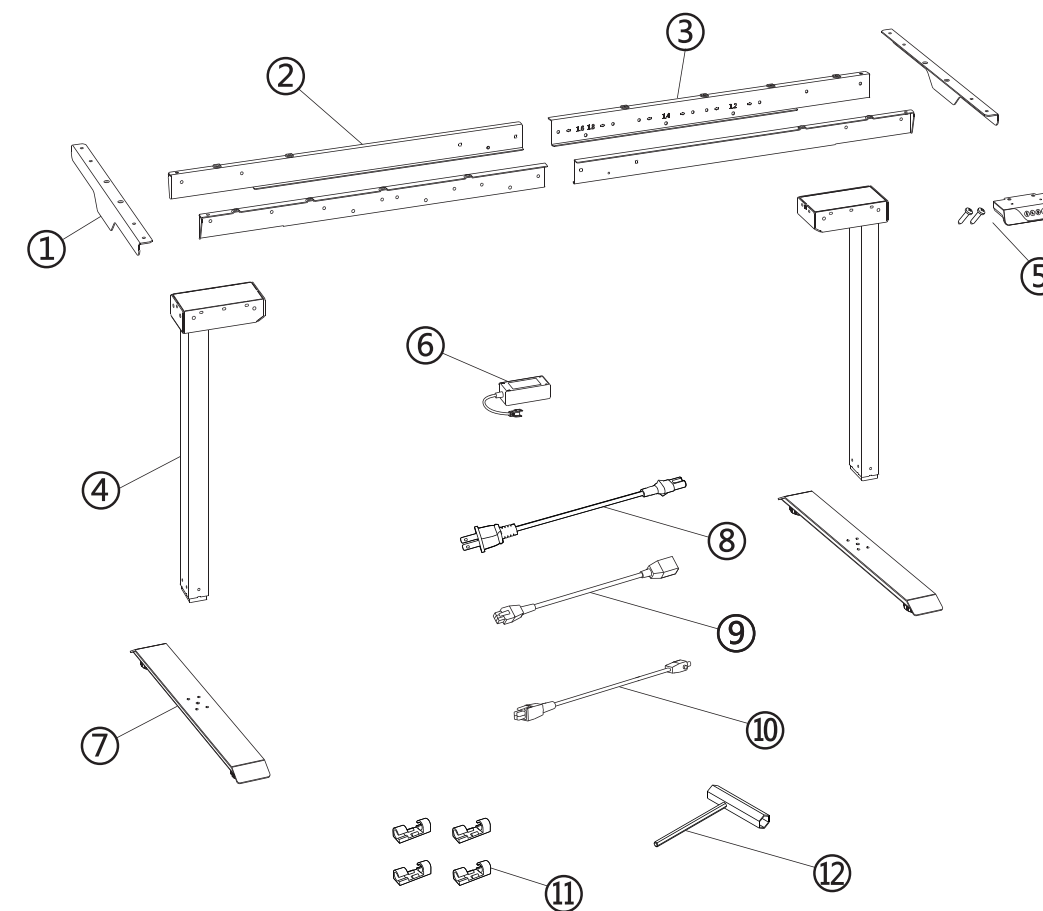
Part List

No.	Part
①	Side bracket x2
②	Left beam x2
③	Right beam x2
④	Column x2
⑤	Handset x1
⑥	Power adaptor x1

No.	Part
⑦	Pedestal x2
⑧	AC power cable x1
⑨	Extension cord x1
⑩	Adapter cable x1
⑪	Cable clip x4
⑫	T-socket wrench x1

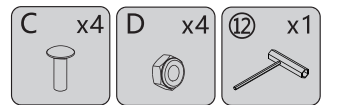
Note: Handle screws are stored separately

Installation Instruction

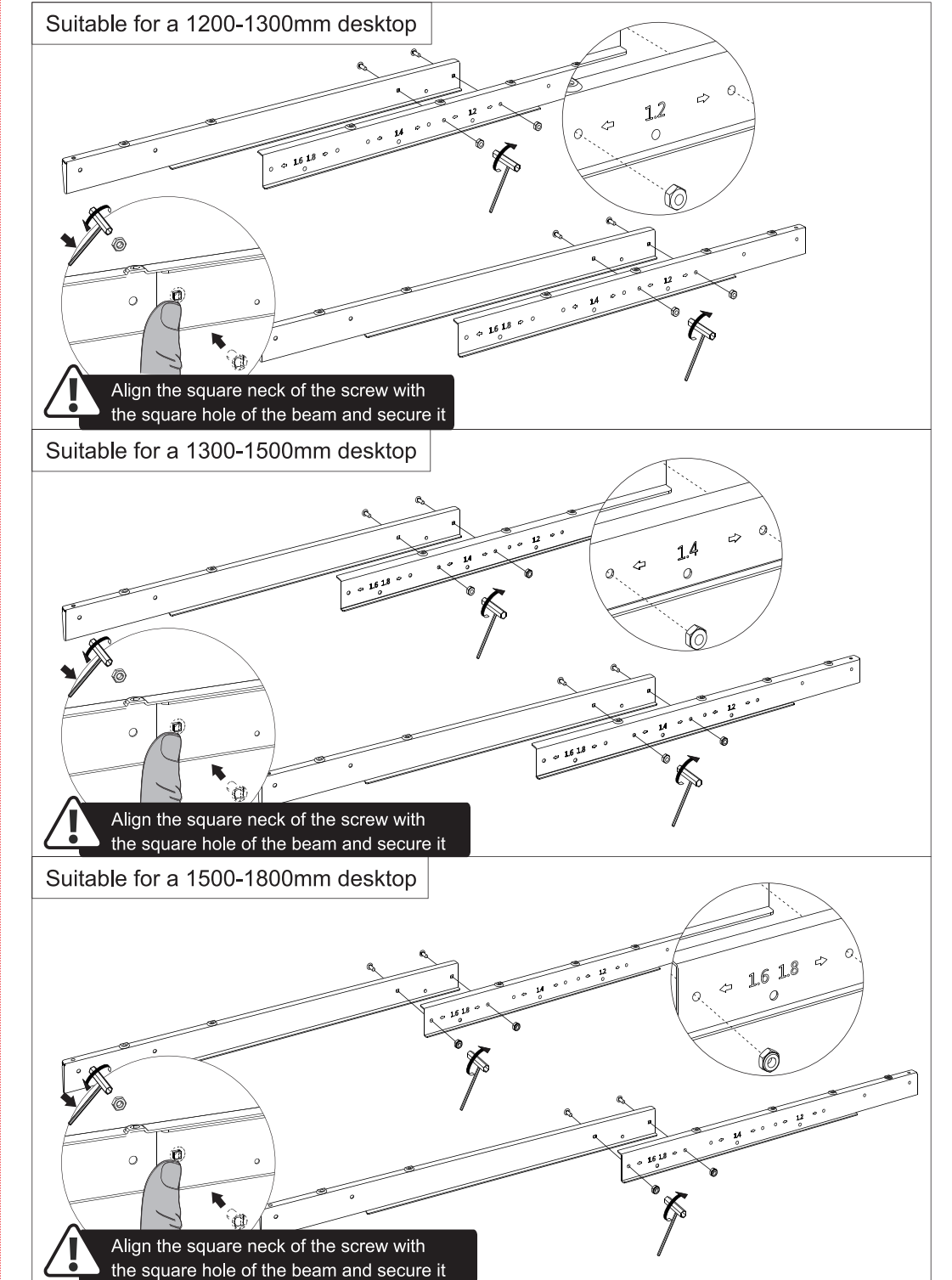


Installation Steps

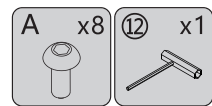
STEP1 Connect the beams



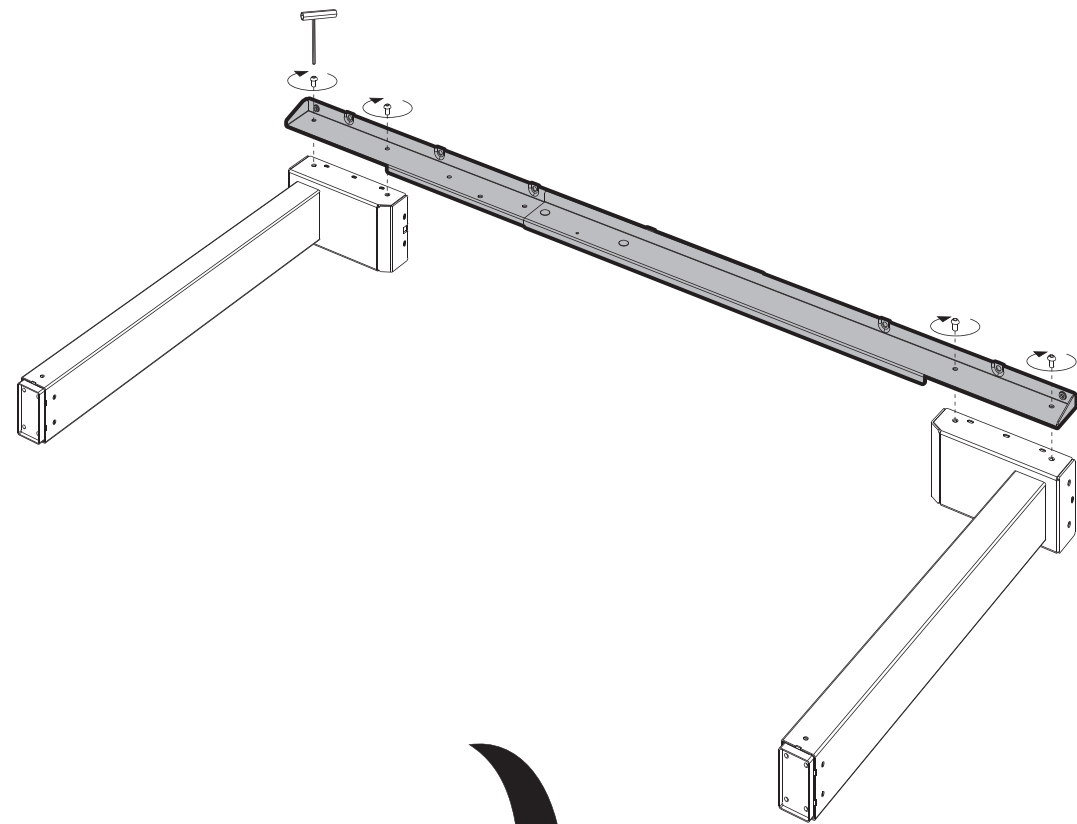
The beam has three adjustable positions. Please adjust the beam to the appropriate length



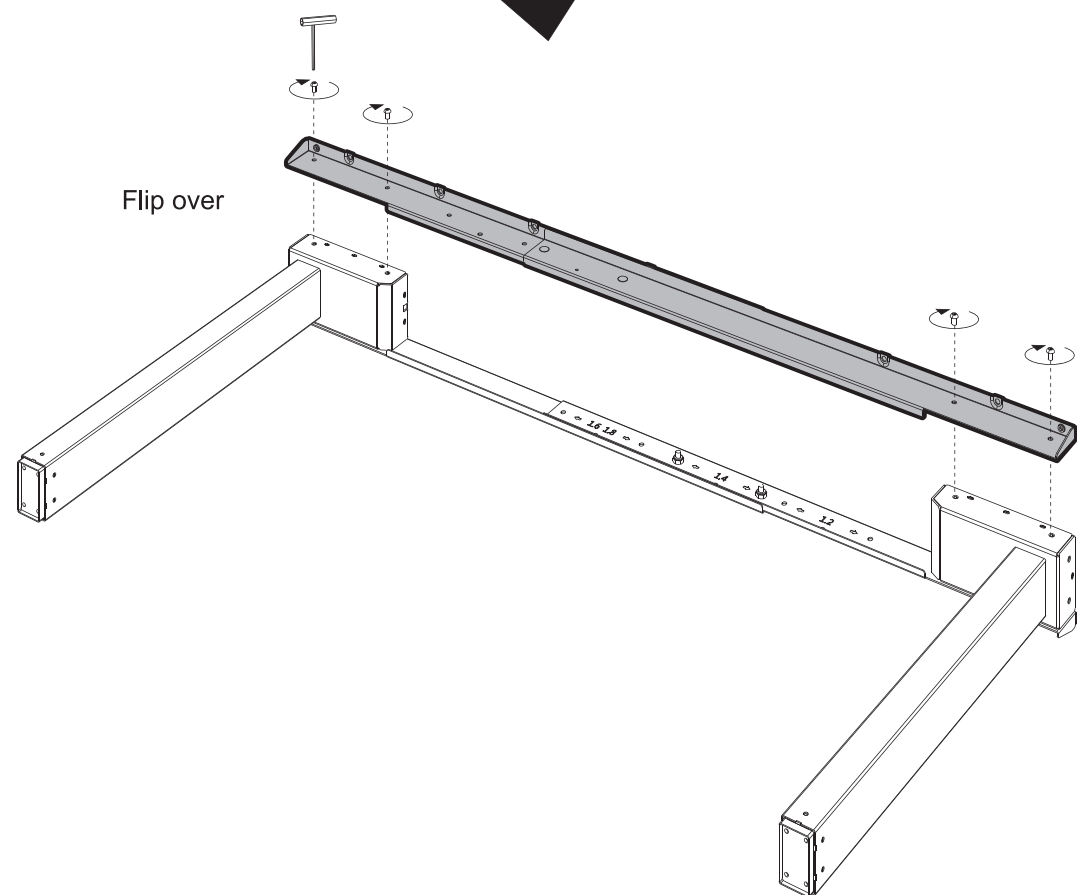
STEP2 Install the beam



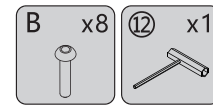
⚠ Pre-screw all screws for the installation of the crossbeam but do not tighten. Tighten them simultaneously finally.



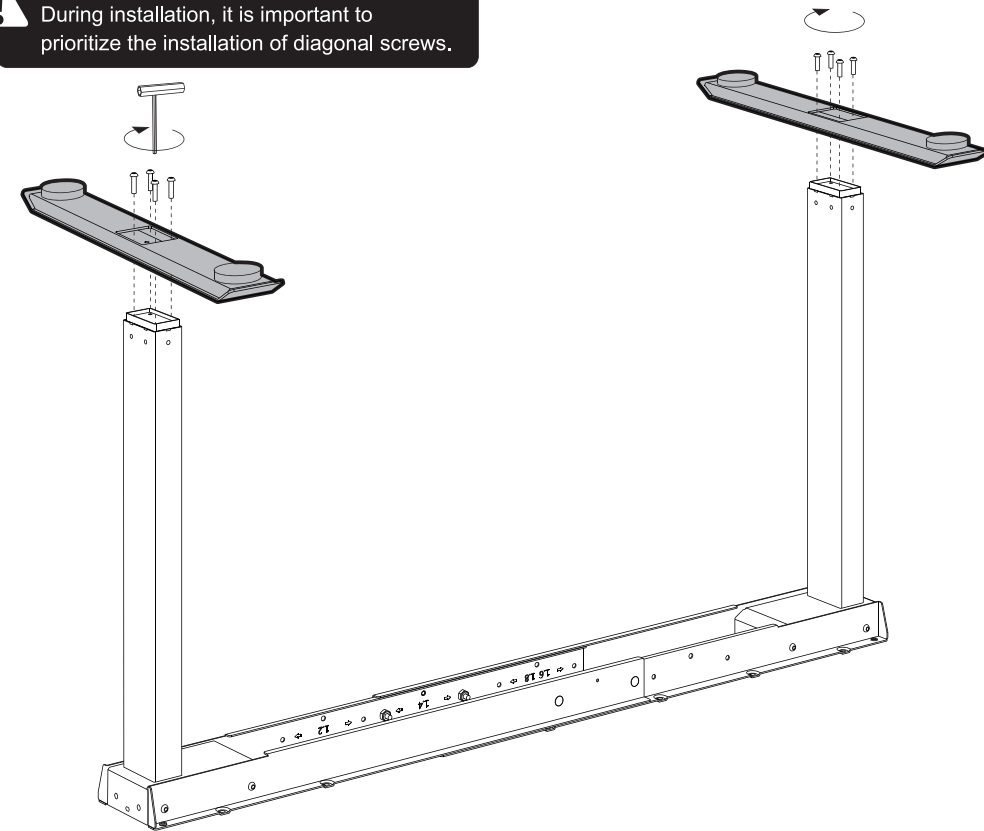
Flip over



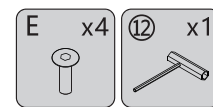
STEP3 Install the Pedestal



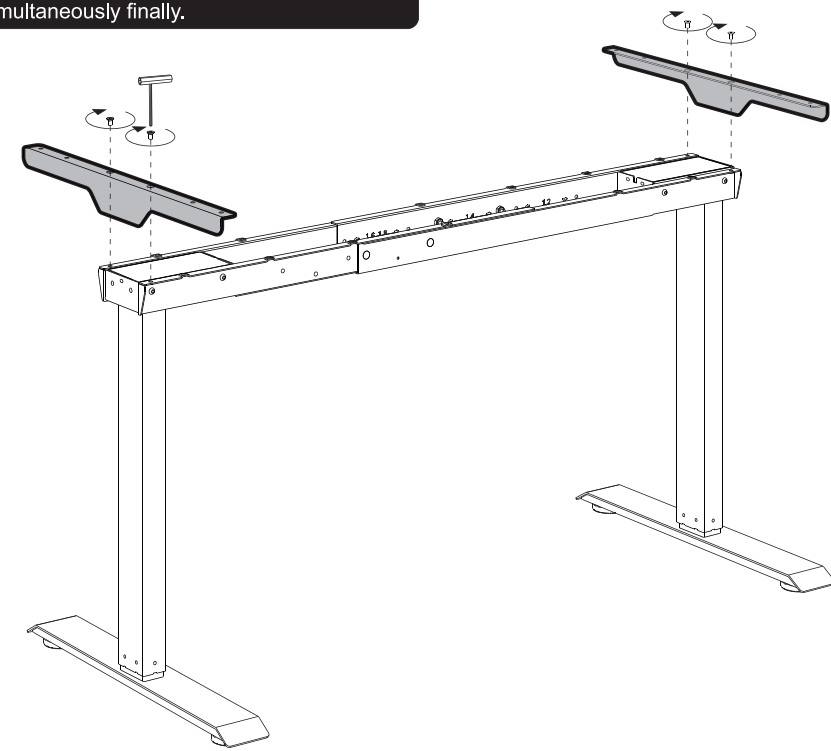
⚠ During installation, it is important to prioritize the installation of diagonal screws.



STEP4 Install the bracket

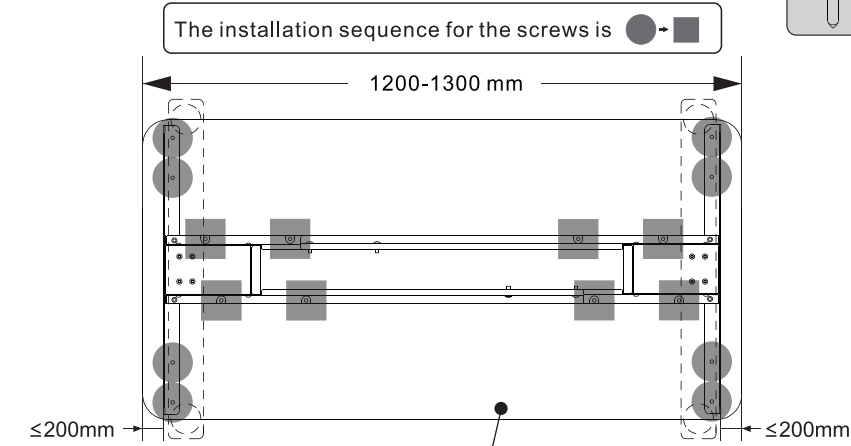
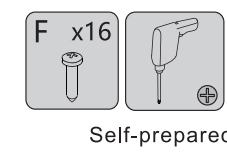


⚠ Pre-screw all screws for the installation of the crossbeam but do not tighten. Tighten them simultaneously finally.



STEP5 Install the Tabletop

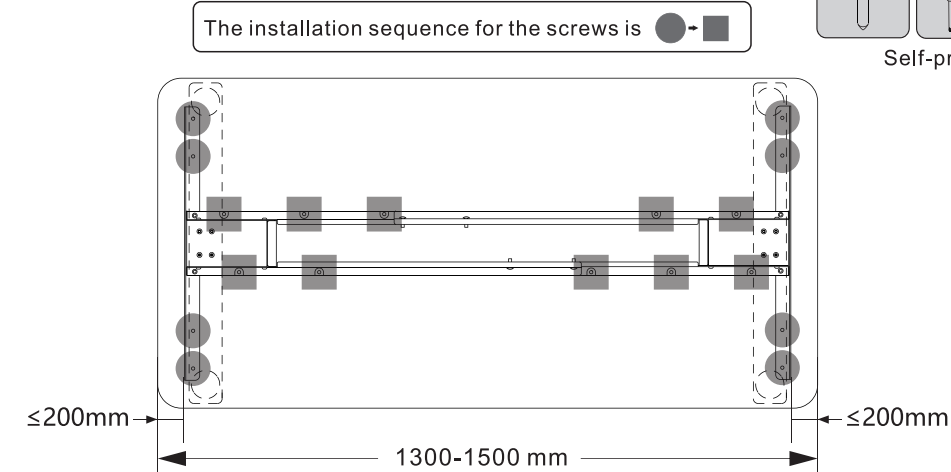
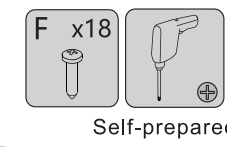
Suitable for a 1200-1300mm desktop



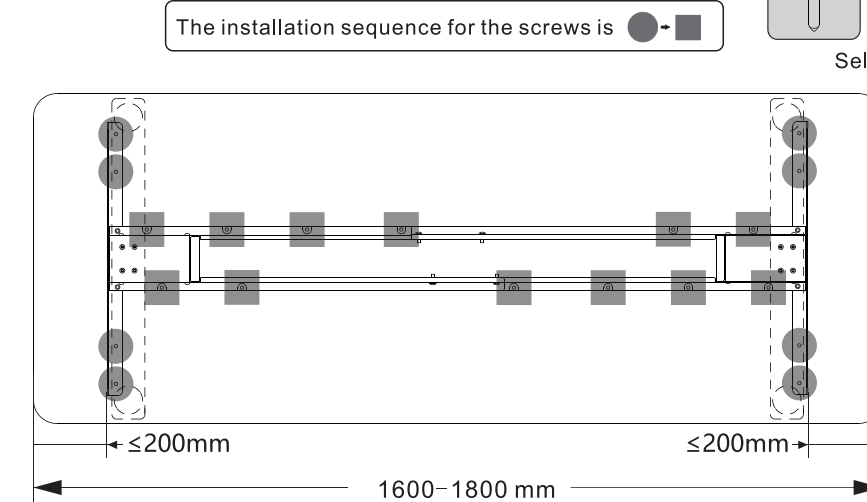
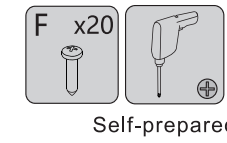
For self-provided tabletops, it is important to ensure sufficient strength. The reference value is 100kg, but the actual weight capacity may vary depending on the specific material of the tabletop.

⚠ The distance between the supporting bracket and the edge of the tabletop should not exceed 200mm.

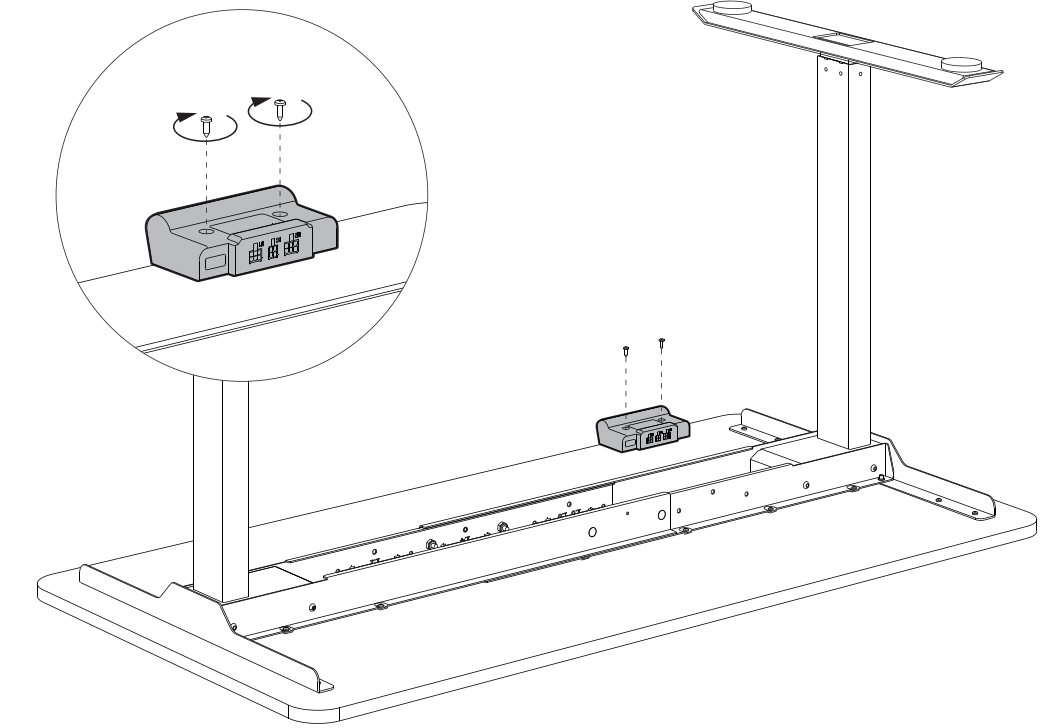
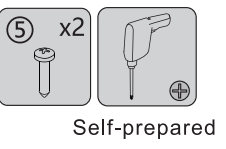
Suitable for a 1300-1500mm desktop



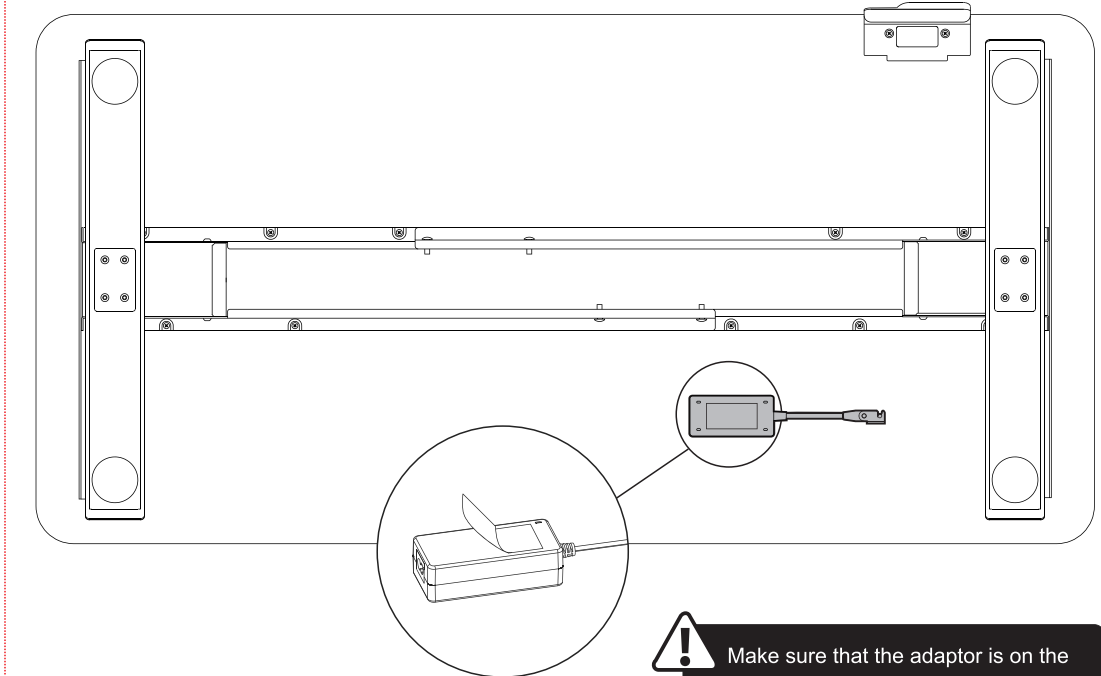
Suitable for a 1500-1800mm desktop



STEP6 Install the Handset



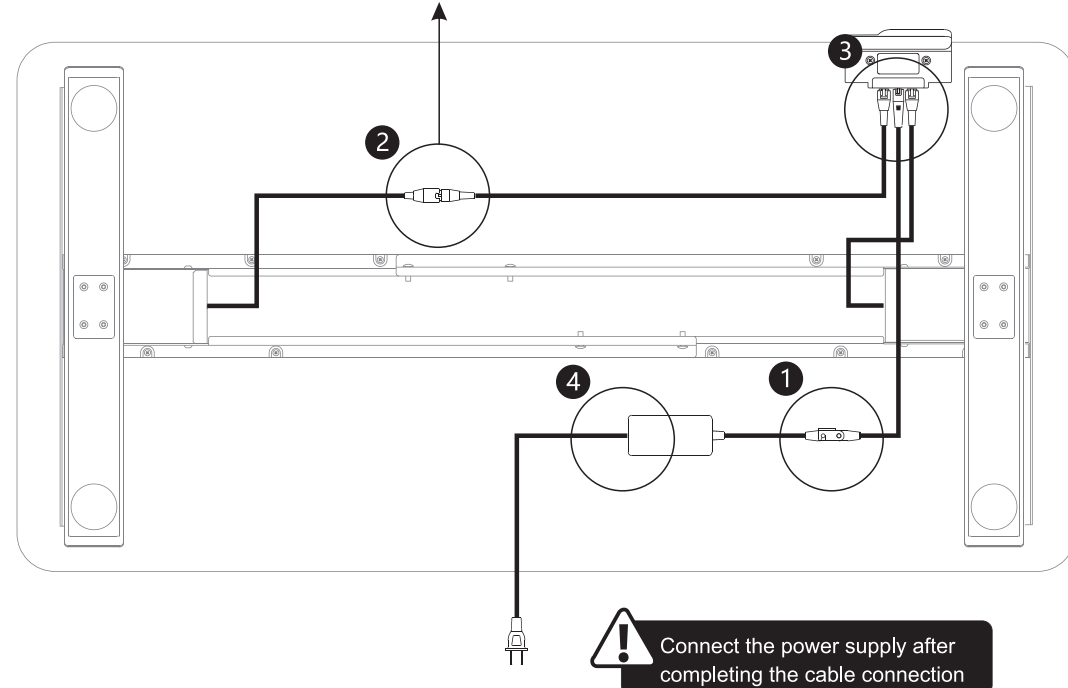
STEP7 Install the adaptor



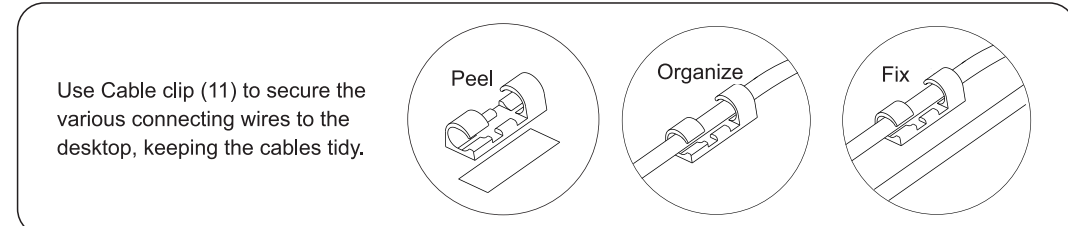
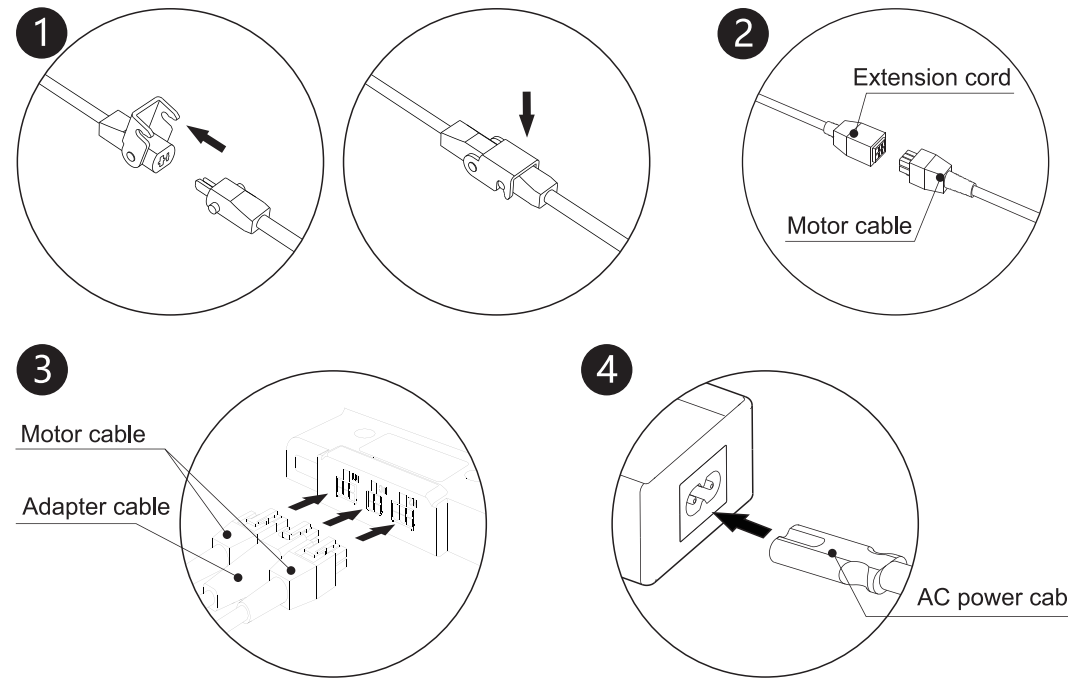
⚠ Make sure that the adaptor is on the same side as the handset

STEP8 Connect the cables

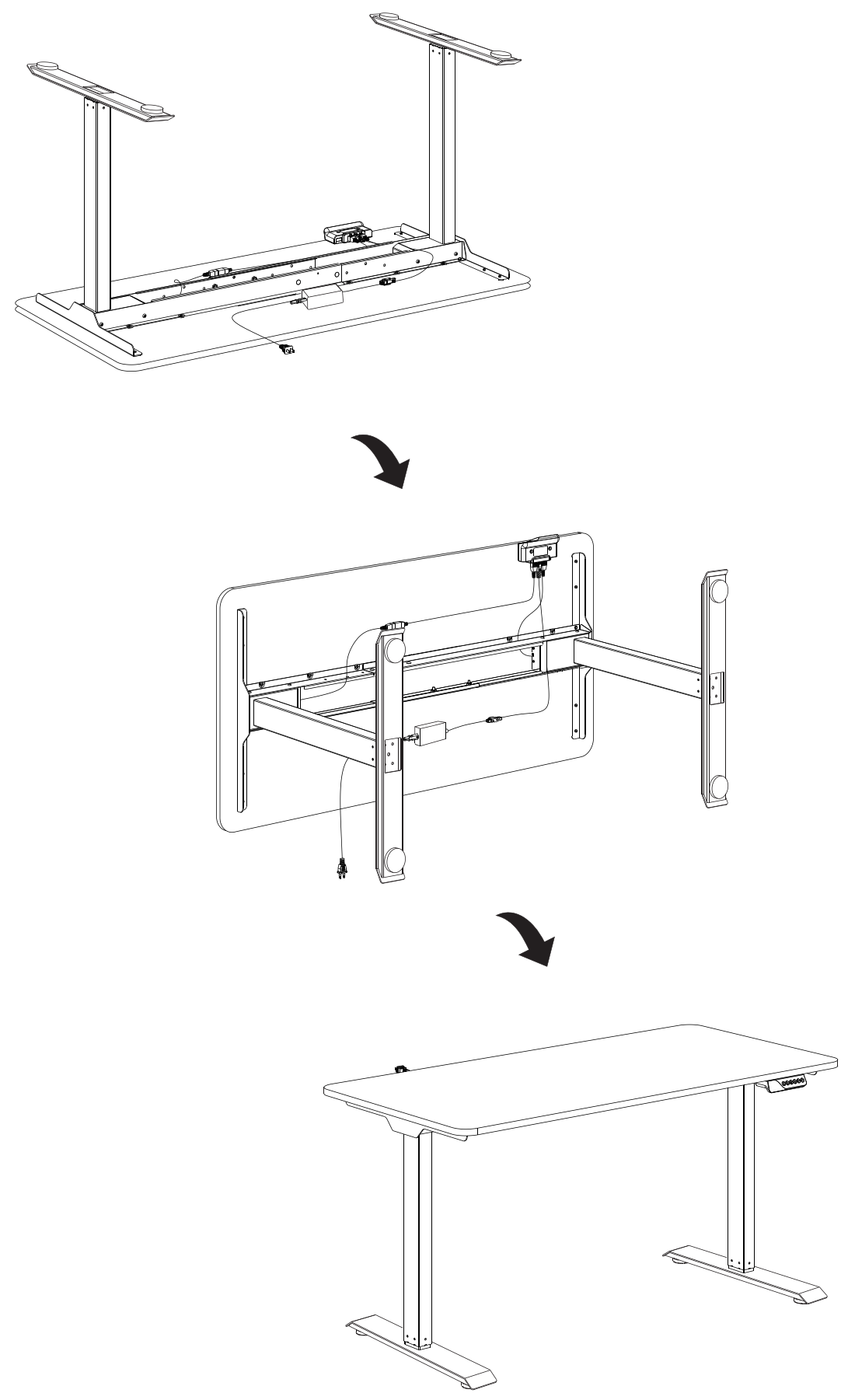
! If the motor cable can be directly plugged into the handset, there is no need to connect an extension cable



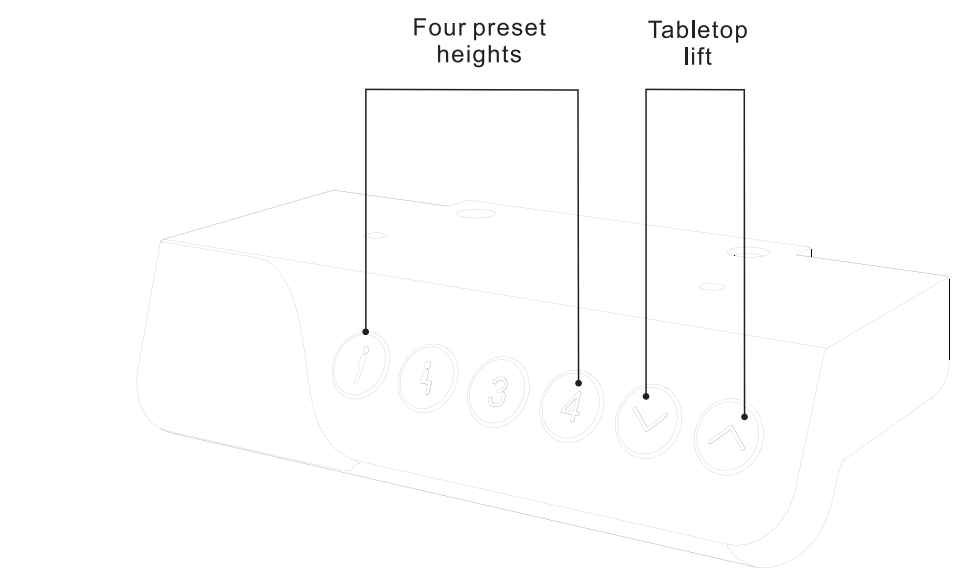
! Connect the power supply after completing the cable connection



STEP9 Flip the table



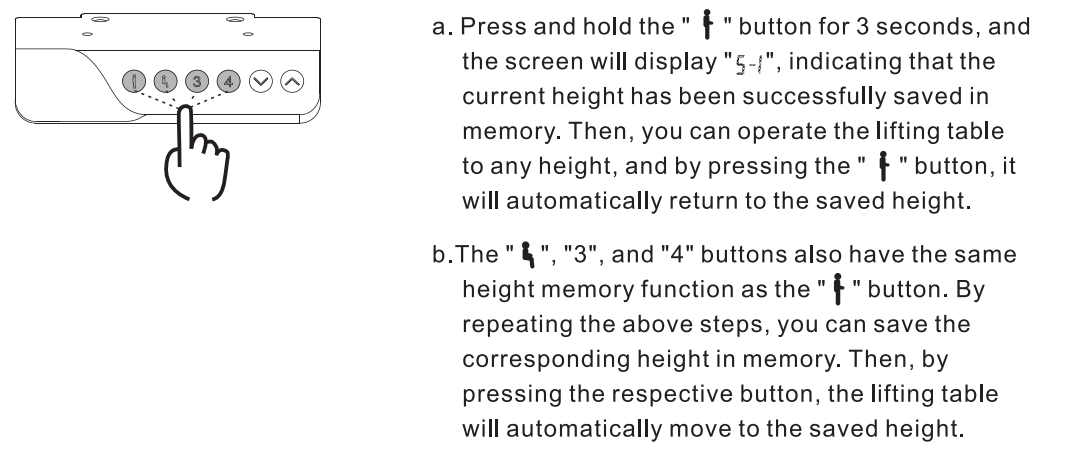
Instructions for using and setting up the handset



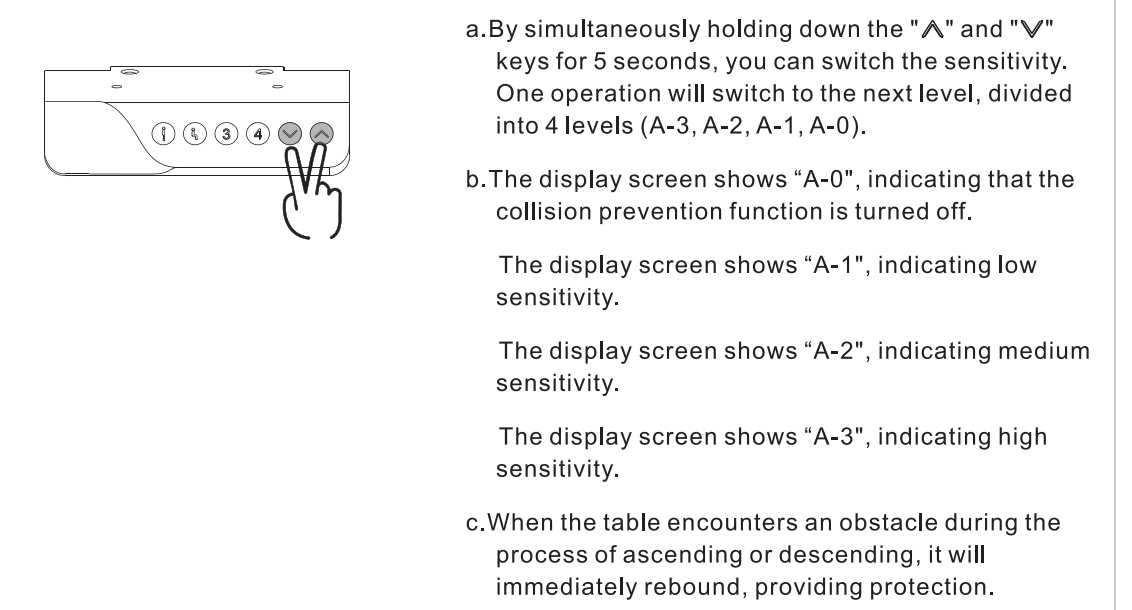
Note
Ensure that there are no obstacles blocking the movement of the table during the lifting process and confirm that all cables are long enough for the table to move up and down.

Suggestion
Set the most comfortable height when sitting as "1" and the most comfortable height when standing as "2". Additional preset heights can be freely set to other heights.

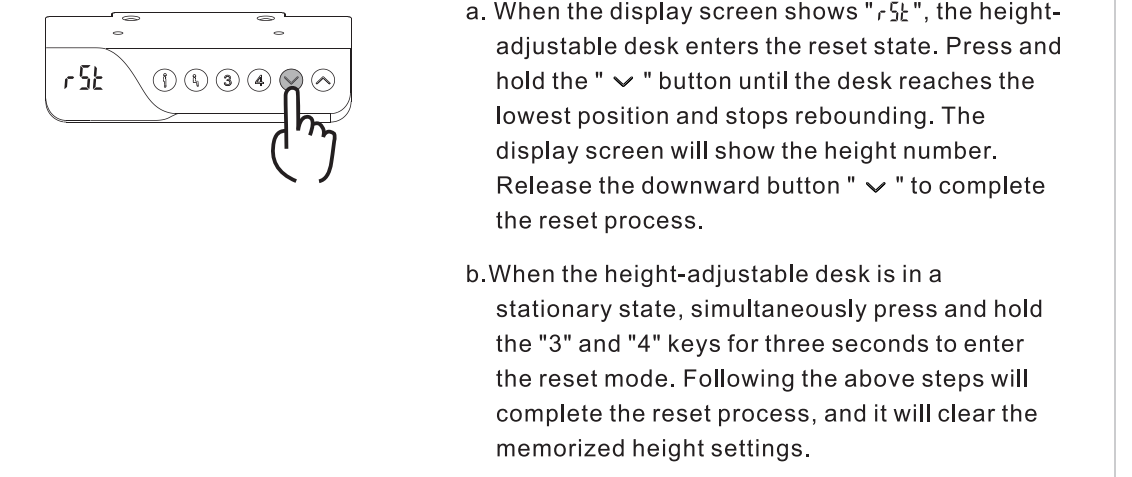
● Height Memory Function



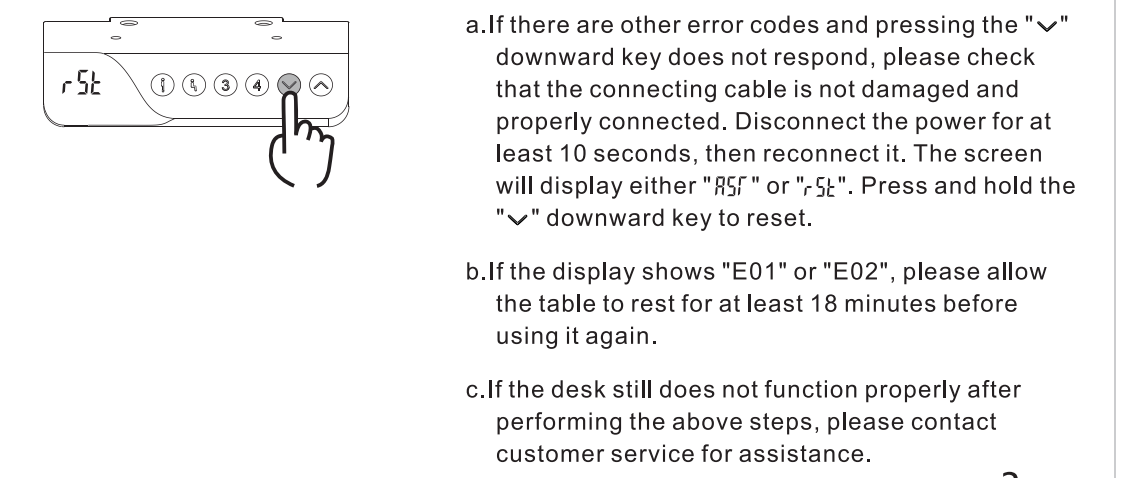
● Adjusting Collision Sensitivity (Optional)



● Reset Function



● Error Code Processing



Troubleshooting

This list is used for checking and solving faults and errors. Please contact the manufacturer if problem you encounter is not on the list below.

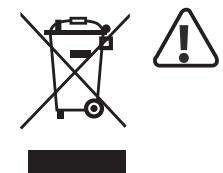
Problem	Solution
The electronic functions are unable to operate properly	Check the cable connection
Speed of lifting is slow	Check if the load weighs more than 100 kg
The worksurface slides downward	
The device often enters the reset state	
Only descending, not ascending, or only ascending, not descending	Perform a reset operation
Insufficient height for ascending and descending	
The bottom cannot rise	
After exceeding the working duty cycle requirements (Duty cycle: Max 2min on/18min OFF)	Power off for 18 minutes and then reconnect the power
When pressing the down key, the device goes up instead	Check if there are any obstacles or hanging cables under the table



Attention

1. Power supply: AC100V-240V, frequency 50/60Hz.
2. Operating environment: Indoor, 0-40° .
3. Before cleaning, make sure to unplug the power cord. Use a slightly damp cloth to wipe away surface dust, taking care not to let water drip into the internal components or damage the connection wires. Regularly check if screws are loose and tighten them if necessary.
4. The electrical box contains electronic components, metals, plastics, wires, etc. Dispose of it according to the environmental regulations of your country, not as regular household waste.
5. Before using the product, carefully inspect and ensure that it has been correctly installed. Use only the accessories provided by the manufacturer for installation. Leave adequate safety clearance when placing the product to avoid pinch hazards.
6. Before first use, familiarize yourself with all the functions and program settings of the product.
7. Children are not allowed to play on this product. Certain unpredictable behaviors may result from children playing on the product, and the manufacturer will not be responsible for any resulting accidents.
8. Slight noises from the multi-belt or brake system caused by the structure will not affect the use of the equipment.
9. The use of corrosive or abrasive materials for cleaning equipment is prohibited. Make sure that the cleaning agents used will not contaminate the environment.
10. Operate the equipment only after understanding the relevant hazards. Children under the age of 14 or individuals with physical or sensory impairments or mental disabilities should use the equipment under proper supervision and guidance. Children should not have unattended access to the product.
11. Children should not perform cleaning and user maintenance without supervision.
12. In case of power cord damage, it must be replaced by the manufacturer or relevant professionals to avoid injury.
13. Ensure that your operating environment is free of any potential hazards, such as not littering tools. Always handle packaging materials with caution to avoid various potential dangers, such as the choking hazard posed by children playing with plastic bags.
14. When moving the product, ensure that there are no items placed on the table, the drawers and doors are closed securely, screws are tightened, and the power plug is unplugged. Use at least 2 people for moving. If necessary, keep the original packaging for future transportation.
15. When storing for a long time, unplug the power cord and clean out any loose objects. Store it in a cool and dry place.
16. This product contains small parts that can pose a choking hazard if swallowed accidentally. Keep these small accessories away from children.

Waste disposal



This marking indicates that this product should not be disposed with other household wastes. To prevent possible harm to the environment or human health from uncontrolled waste disposal, recycle it responsibly to promote the sustainable reuse of material resources. To return your used device, please use the return and collection systems or contact the retailer where the product was purchased. They can take this product for environmental safe recycling.

Tischkönig GmbH: Dekan-Lippert-Straße 1, 95158 Kirchenlamitz, Germany
E-mail: info@tischkoenig.de - Tel: +49 9285 96 89 44 0

